

Ball valve brass full bore female/female thread

Material body: Brass nickel-plated

Material ball: chrome-plated brass

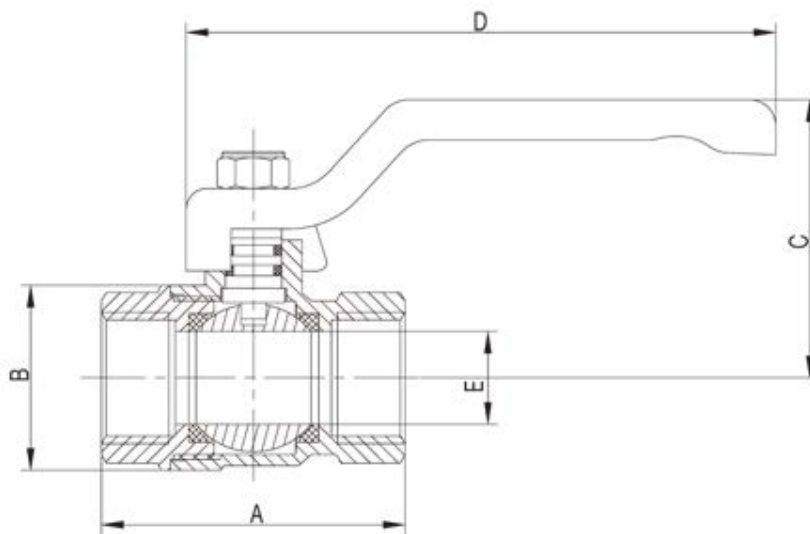
Seats: PTFE/NBR

Working pressure 25 bar (362.5 psi)

Working temperature from -20°C to + 95°C

Thread ISO228 BSP

Suitable for water services, heating and air-conditioning plants, compressed air systems.



Dimension in mm	1/4"	3/8"	1/2"	3/4"	1"	1 1/4"	1 1/2"	2"	2 1/2"	3"	4"
A	40	41	48.4	56	65	76	85	99	132	152	178
B	23	23	29.5	35	42.7	53	63	79	102.5	120.5	144.5
C	37.5	38.1	42.9	46.3	54.3	67.4	72.7	82.5	107.5	116.5	128.3
D	85	85	96	96	127	158	158	190	270	270	270
E	9	10	14.8	19	24	30.2	37	47	62	74	90
PN	25	25	25	25	25	25	25	25	25	25	25